



**U.S. Department of Commerce
National Oceanic and Atmospheric Administration
National Marine Fisheries Service
TED Technology Transfer Program
P.O. Box 1207
Pascagoula, Mississippi 39568-1207 / PH 228-762-4591**

**Instructions for the 44-inch Inshore
Turtle Escape Opening
for Single-Grid Hard TEDs**
(For use inshore of the COLREGS demarcation line only.)

This document provides instructions for modifying or constructing a 44-inch escape opening dimensions for a single-grid hard TED for use in inshore waters only. This TED opening may not be used in offshore waters or in inshore waters in Georgia or South Carolina. **All measurements are given in inches and apply to stretched mesh.** The actual regulatory requirements are based on inches, not mesh size.

These instructions include approximate mesh counts only to provide a general indication of the size of the required openings. The number of meshes required will differ depending on the mesh size of each net. These instructions summarize regulations at 50 C.F.R. 223.207 (a)(7)(ii)(A), 223.207(d)(2)(i), and 223.207(d)(3)(i). It is the responsibility of the owners and operators of vessels using these instructions to insure that their TEDs meet all regulatory requirements.

1. Cutting the Exit Hole

Cut an exit hole in the extension ahead of the TED frame 20 inches forward on each side, by 56 inches across the leading edge. (Figure 1) Note: These measurements are stretched mesh measurements. When making the cut, leave 1/2 mesh forward of the TED frame. If the trawl webbing is 1-1/2", the cut will be approximately 14 meshes long by 41 meshes wide. If the webbing is 1-5/8" the cut will be approximately 13 meshes long by 38 meshes wide.

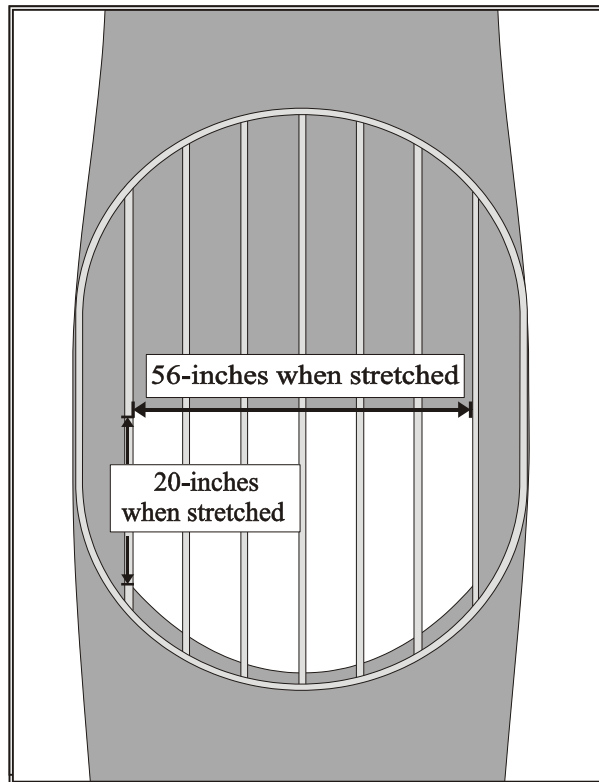


Figure 1 Suggested exit hole cut dimensions for 44-inch TED opening

2. Constructing and Installing the Exit Hole Cover (Flap)

The exit hole cover is made by cutting a 90-inch by 58-inch piece of webbing no larger than 1⁵/₈-inch stretch mesh (Figure 2). The 90-inch edge of the cover is attached to the forward edge of the opening (56-inch edge).

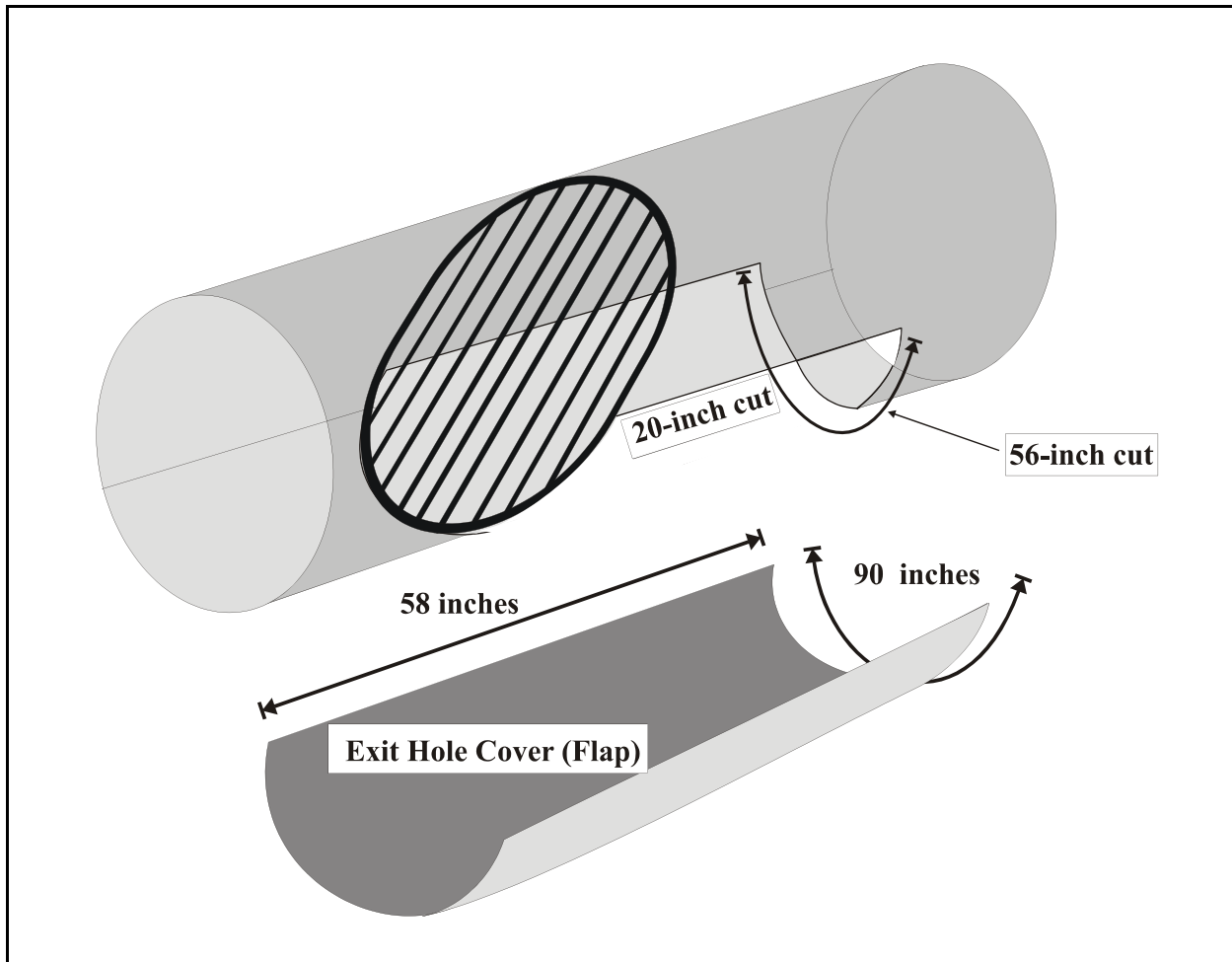


Figure 2 Installation of Exit Hole Flap for 44-inch TED

Exit Hole Cover (continued)

The cover may overlap the exit hole by a maximum of 5 inches (about 3 meshes) on each side (Figure 3). Attach the side of the flap to the side of the exit hole cut while maintaining the 3-mesh overlap. Attach 24-inches of the cover to 20-inches of the exit hole cut ahead of the TED frame. Following the same row of meshes as the 3-mesh overlap continue sewing down the extension beyond the TED frame to the row of meshes that lies 6-inches beyond the posterior edge of the grid.

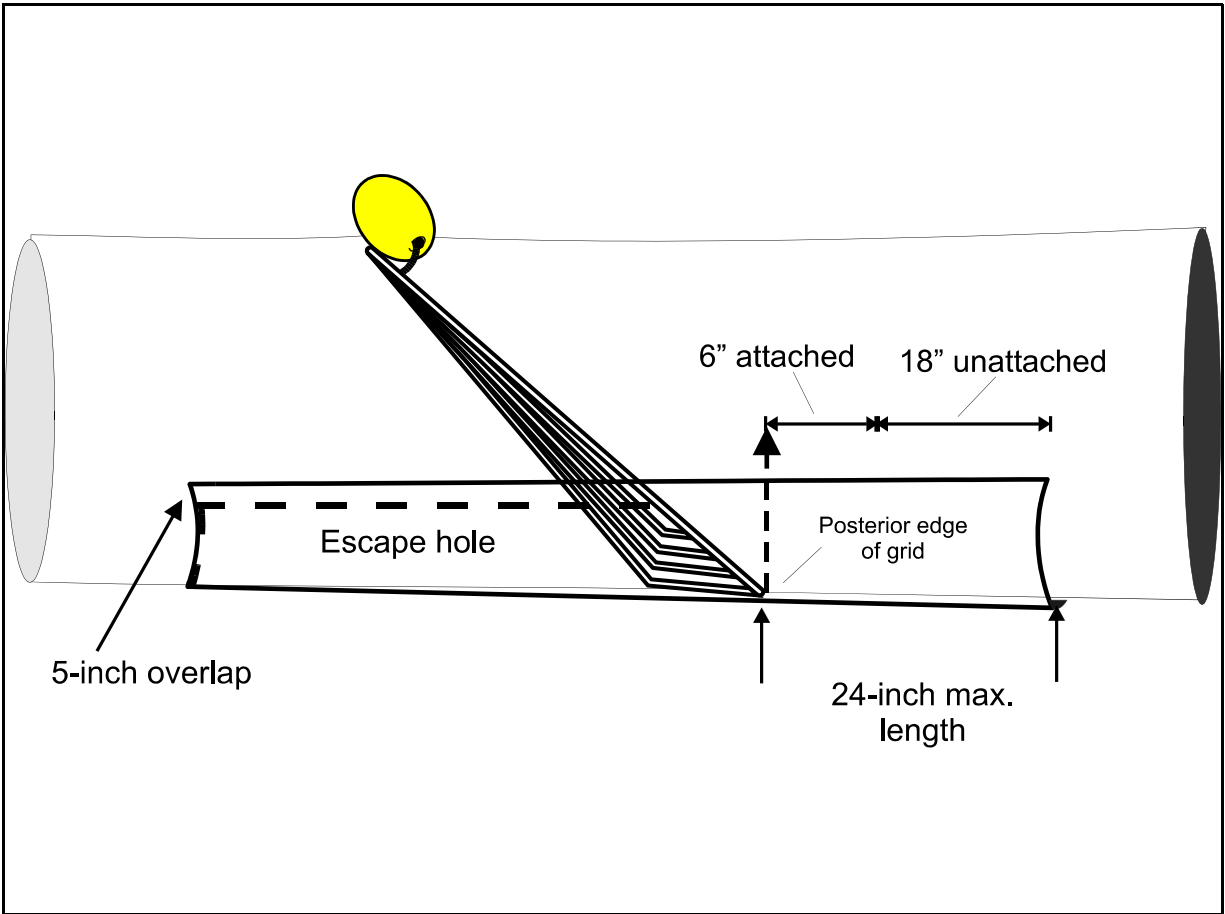
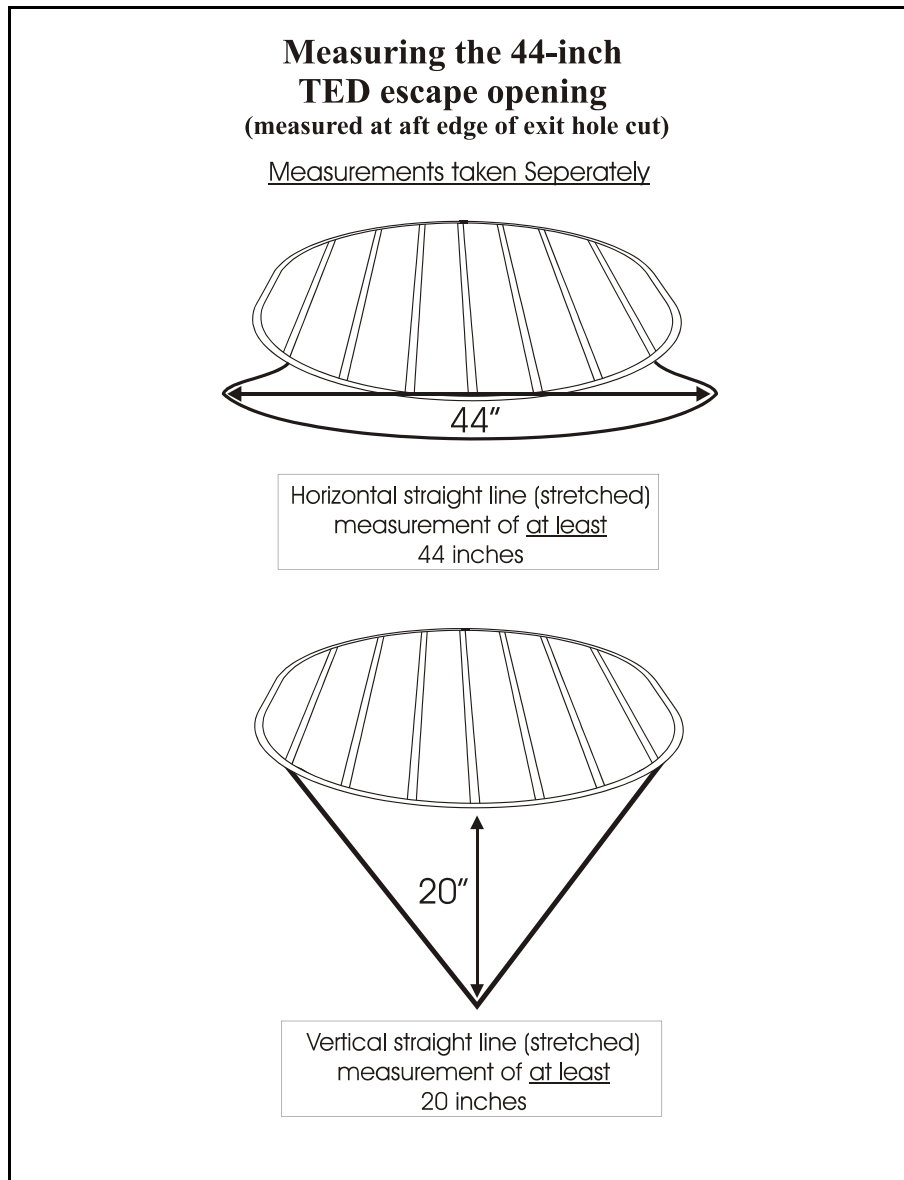


Figure 3 - 44-inch TED opening: Attachment of the exit hole cover.

3. Measurement of the 44-inch TED opening

The required escape opening should measure at least 44-inches when stretched horizontally and at least 20 inches when stretched vertically.(Figure 4). These measurements should be taken separately.



ACCELERATOR FUNNELS WITH THIS TED

If an optional accelerator funnel is used with the above TED in inshore waters (other than inshore waters of Georgia or South Carolina), the accelerator funnel must have an inside horizontal opening with a straight-line stretched measurement of at least 44 inches.